



Axelent **X-Protect**

PRODUCT RANGE & TECHNICAL SPECIFICATIONS



12

Your safety is our mission since 1990

Axelent is a complete supplier of safety for production, warehouses, and properties. Our mission is that all employees should have a safe working environment.

Today, we are one of the largest suppliers of safety solutions for the industry and most of our employees are located at the head office in Hillerstorp, Sweden, where all our products are developed and manufactured.

Axelent X-Protect

- 2. Content & Axelent
- 3. X-Protect
- 4. Technical information
- 6. Bollards
- 8. Impact Barriers
- 16. Pedestrian + Impact Barriers
- 22. Column Guard



Towards a sustainable future

Continual improvement and smart solutions are central to Axelent's sustainability work.

With a strategy entailing continual development and renewal, we aim to reduce our environmental impact in all areas of operations.



More information at
WWW.AXELENT.COM



Protection designed for a simple future

X-Protect is a unique approach to safety barriers. Unrivalled modularity, using only a few system components and damping that is built in to create a barrier system that changes with your work place. X-Protect allows rapid transformation, repair or replacement of existing barriers and bespoke configurations are limitless.



Bollards

Pedestrian barriers



Impact barriers



Column guard



Assembly

X-Protect is **incredibly easy to assemble and dis-assemble** with minimal tools.



SCAN THE CODE TO
DOWNLOAD OUR
ASSEMBLY MANUALS

Environment

Sustainability is at the forefront of our minds. **Only one kind of plastic is used in each part, which makes the product optimal for recycling.** When it is worn out, you can simply recycle the material.

It also **allows for damaged or worn parts to be replaced at a component level.** The materials are the result of careful choices, all to make X-Protect as long-lived and environmentally friendly as possible.



Packaging

All X-Protect components have been **designed with packing efficiency in mind**, so that space is optimised.

Furthermore, we use our **X-Pack** packing philosophy so the parts you need are on hand and installations can start quickly.

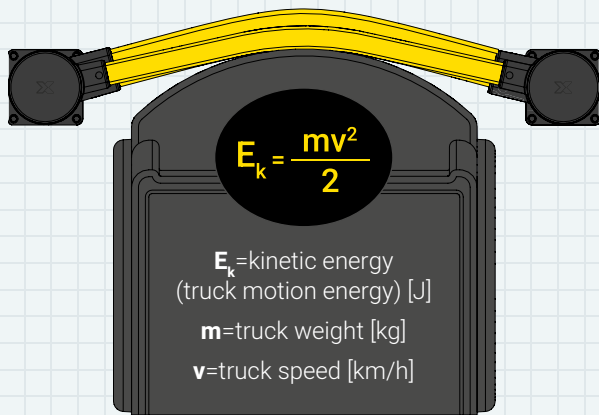
Impact testing

We conduct hundreds of tests at our state-of-the-art testing facility every year. Using a weighted forklift truck replica, we can apply **repeatable real-world forces to impact zones**.

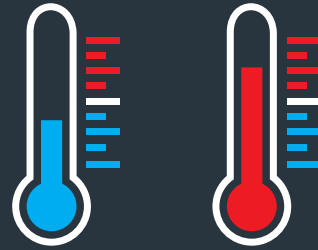
For further information on our testing methods or detailed test reports please contact your Axelent representative.



YOU CAN READ ABOUT THE TEST RESULTS FOR EACH CONFIGURATION ON THEIR RESPECTIVE PAGES, BEGINNING ON PAGE 6.



Operating temperature



14°F → 104°F





SCAN THE CODE
TO WATCH OUR
ASSEMBLY VIDEO



Bollards

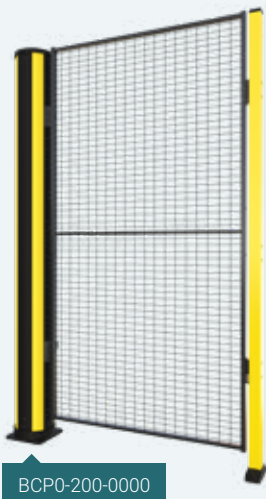
IMPACT TEST RESULTS

Bollard height	Load	Equivalent to		90° Deflection	Force to fixings
350mm	3200 J	2500 kg 5.7 km/h	5000 kg 4 km/h	NA *	18 kN
610mm	5250 J	2500 kg 7.3 km/h	5000 kg 5.2 km/h	300mm	19.5 kN
870mm	5250 J	2500 kg 7.3 km/h	5000 kg 5.2 km/h	420mm	17.5 kN
1160mm	5250 J	2500 kg 7.3 km/h	5000 kg 5.2 km/h	620mm	12 kN

* Due to the bollard height, it is considered that the deflection is not critical for product selection.

When should you use the X-Protect Bollards?

✓ Use our X-Protect bollards to protect doorways, exposed corners and machinery. The black and yellow bollards also attract the fork lift driver's attention and act as guidance along traffic routes.



X-Guard compatible bollards

✓ If you have our machine guard system X-Guard installed, it is easy to integrate it with our X-Protect range. This taller bollard comes in three heights to fit our most common panel options. Following on from the bollard you can then choose any configuration of X-Protect.*

* Please consult with your Axelent representative for correct usage.

BCP0-116-0000

BCP0-087-0000

BCP0-061-0000

BCP0-035-0000

350-1160mm



ARTICLES FOR BOLLARDS & X-GUARD CONNECTION

Art.No.	Product name	Colour
Bollards		
BCP0-035-0000	Bollard, H=350mm W=200mm	● RAL 1018 & ● RAL 9011
BCP1-035-0000	Bollard, H=350mm W=200mm	● RAL 1018
BCP0-061-0000	Bollard, H=610mm W=200mm	● RAL 1018 & ● RAL 9011
BCP1-061-0000	Bollard, H=610mm W=200mm	● RAL 1018
BCP0-087-0000	Bollard, H=870mm W=200mm	● RAL 1018 & ● RAL 9011
BCP1-087-0000	Bollard, H=870mm W=200mm	● RAL 1018
BCP0-116-0000	Bollard, H=1160mm W=200mm	● RAL 1018 & ● RAL 9011
BCP1-116-0000	Bollard, H=1160mm W=200mm	● RAL 1018
X-Guard compatible bollards **		
BCP0-140-0000	Bollard, H=1400mm W=200mm	● RAL 1018 & ● RAL 9011
BCP1-140-0000	Bollard, H=1400mm W=200mm	● RAL 1018
BCP0-200-0000	Bollard, H=2000mm W=200mm	● RAL 1018 & ● RAL 9011
BCP1-200-0000	Bollard, H=2000mm W=200mm	● RAL 1018
BCP0-230-0000	Bollard, H=2300mm W=200mm	● RAL 1018 & ● RAL 9011
BCP1-230-0000	Bollard, H=2300mm W=200mm	● RAL 1018
X-Guard Connection		
CCS3-140-XGC	X-Guard Connection, H=1400mm	● RAL 9011
CCS1-140-XGC	X-Guard Connection, H=1400mm	● RAL 1018
CCS3-200-XGC	X-Guard Connection, H=2000mm	● RAL 9011
CCS1-200-XGC	X-Guard Connection, H=2000mm	● RAL 1018
CCS3-230-XGC	X-Guard Connection, H=2300mm	● RAL 9011
CCS1-230-XGC	X-Guard Connection, H=2300mm	● RAL 1018

* Please consult the assembly manual for the complete list of all articles. Scan the QR code on page 4 to download it.

** Can only be used in combination with X-Guard.



SCAN THE CODE
TO WATCH OUR
ASSEMBLY VIDEO



Impact

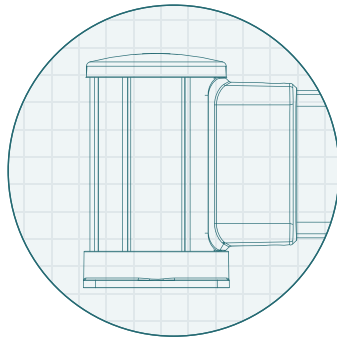
IMPACT TEST RESULTS

Area of impact	Load	Equivalent to		90° Deflection	Force to fixings
Centre of barrier C-C as below					
2000mm	4500 J	2500 kg 6.8 km/h	5000 kg 4.8 km/h	350mm	4 kN
2500mm	4200 J	2500 kg 6.5 km/h	5000 kg 4.6 km/h	390mm	6.6 kN
3000mm	3900 J	2500 kg 6.3 km/h	5000 kg 4.4 km/h	420mm	9.8 kN
Posts					
End post	4500 J	2500 kg 6.8 km/h	5000 kg 4.8 km/h	NA *	11.8 kN
Mid post	4500 J	2500 kg 6.8 km/h	5000 kg 4.8 km/h	NA *	13.6 kN

* Deflection of posts is equivalent or less than that of the rail/s and is not considered to be critical for product selection. Performance is tested at height of the lowest rail. The post will perform better for lower strikes and deflection will be less.

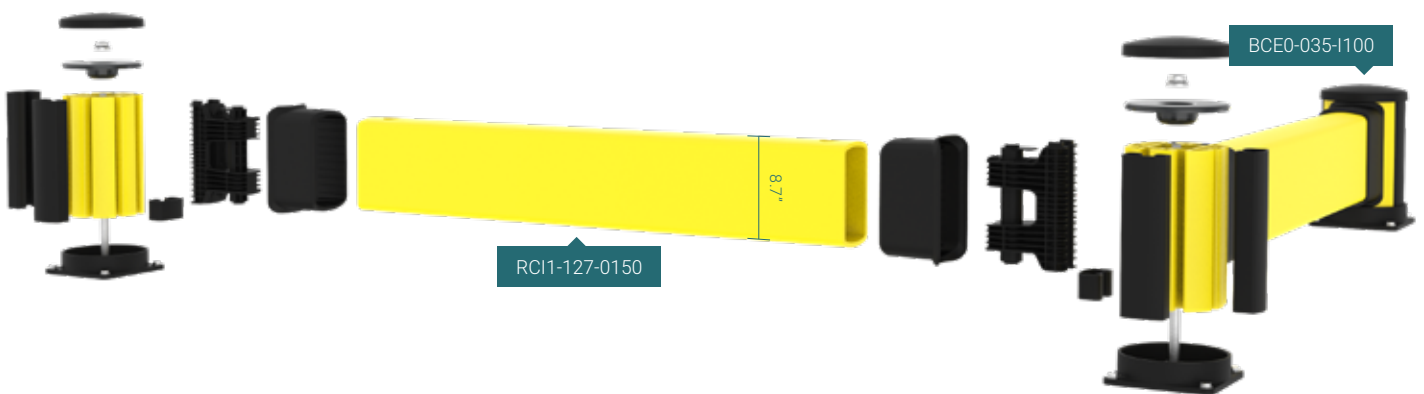
When should you use the Impact Barrier?

✔ Use the Impact Barrier for ground level impact protection. It is ideal for segregating light weight vehicles or defining warehouse zones.



Modularity & simplicity

Our modular rails and bollards allow for damaged or worn parts to be replaced at a component level. If you need to replace any component - it is just a slide away.



ARTICLES FOR IMPACT BARRIER

Art.No.	Product name	Colour
Posts		
BCE0-035-I100	Impact end, H=350mm	● RAL 1018 & ● RAL 9011
BCE1-035-I100	Impact end, H=350mm	● RAL 1018
BCM0-035-I100	Impact mid, H=350mm	● RAL 1018 & ● RAL 9011
BCM1-035-I100	Impact mid, H=350mm	● RAL 1018
BCC0-035-I100	Impact corner, H=350mm	● RAL 1018 & ● RAL 9011
BCC1-035-I100	Impact corner, H=350mm	● RAL 1018
Impact rails		
RCI1-027-0050	Impact rail, L=270mm C-C=500mm	● RAL 1018
RCI1-047-0070	Impact rail, L=470mm C-C=700mm	● RAL 1018
RCI1-077-0100	Impact rail, L=770mm C-C=1000mm	● RAL 1018
RCI1-127-0150	Impact rail, L=1270mm C-C=1500mm	● RAL 1018
RCI1-177-0200	Impact rail, L=1770mm C-C=2000mm	● RAL 1018
RCI1-227-0250	Impact rail, L=2270mm C-C=2500mm	● RAL 1018
RCI1-277-0300	Impact rail, L=2770mm C-C=3000mm	● RAL 1018

* Please consult the assembly manual for the complete list of all articles. Scan the QR code on page 4 to download it.



SCAN THE CODE
TO WATCH OUR
ASSEMBLY VIDEO



Impact High

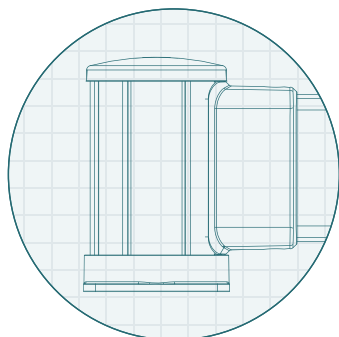
IMPACT TEST RESULTS

Area of impact	Load	Equivalent to		90° Deflection	Force to fixings
Centre of barrier C-C as below					
2000mm	6200 J	2500 kg 8 km/h	5000 kg 5.6 km/h	430mm	14.5 kN
2500mm	5500 J	2500 kg 7.5 km/h	5000 kg 5.3 km/h	470mm	12.2 kN
3000mm	5200 J	2500 kg 7.3 km/h	5000 kg 5.1 km/h	520mm	10.4 kN
Posts					
End post	2400 J	2500 kg 4.9 km/h	5000 kg 3.5 km/h	NA *	19.2 kN
Mid post	2400 J	2500 kg 4.9 km/h	5000 kg 3.5 km/h	NA *	18.1 kN

* Deflection of posts is equivalent or less than that of the rail/s and is not considered to be critical for product selection. Performance is tested at height of the lowest rail. The post will perform better for lower strikes and deflection will be less.

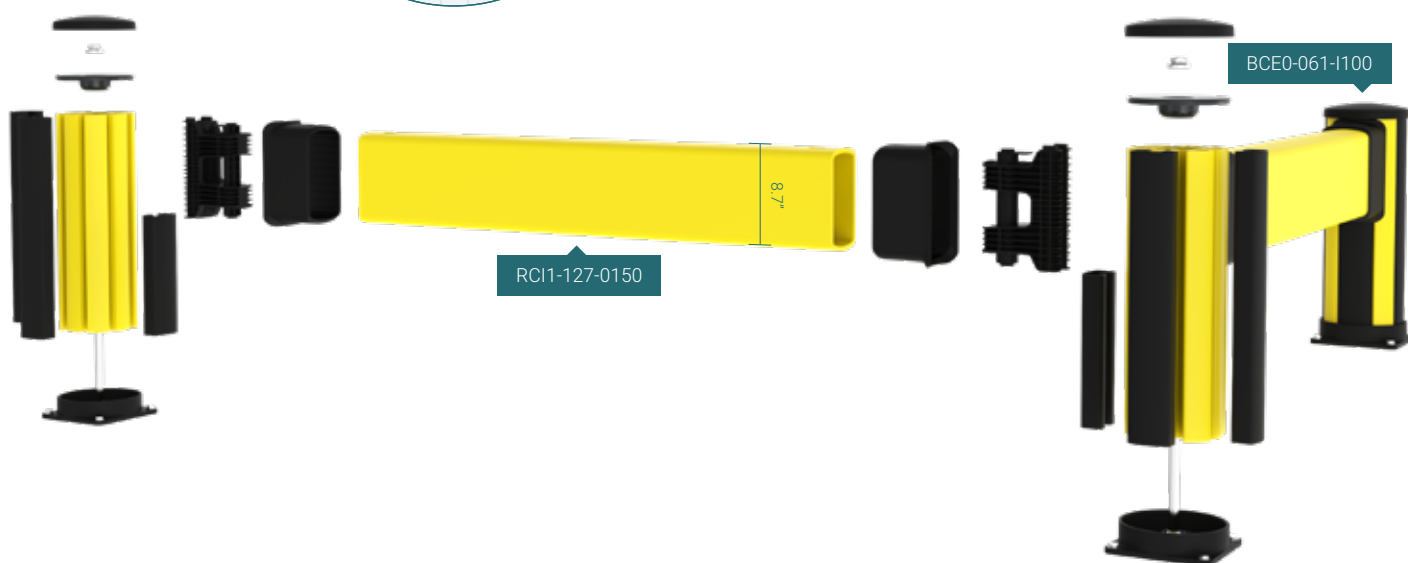
When should you use the Impact High Barrier?

✓ Use the Impact High Barrier for high level impact protection. It is ideal for segregating light weight vehicles or defining warehouse zones.



Modularity & simplicity

Our modular rails and bollards allow for damaged or worn parts to be replaced at a component level. If you need to replace any component - it is just a slide away.



ARTICLES FOR IMPACT HIGH BARRIER

Art.No.	Product name	Colour
Posts		
BCE0-061-I100	Impact H end, H=610mm	● RAL 1018 & ● RAL 9011
BCE1-061-I100	Impact H end, H=610mm	● RAL 1018
BCM0-061-I100	Impact H mid, H=610mm	● RAL 1018 & ● RAL 9011
BCM1-061-I100	Impact H mid, H=610mm	● RAL 1018
BCC0-061-I100	Impact H corner, H=610mm	● RAL 1018 & ● RAL 9011
BCC1-061-I100	Impact H corner, H=610mm	● RAL 1018
Impact rails		
RCI1-027-0050	Impact rail, L=270mm C-C=500mm	● RAL 1018
RCI1-047-0070	Impact rail, L=470mm C-C=700mm	● RAL 1018
RCI1-077-0100	Impact rail, L=770mm C-C=1000mm	● RAL 1018
RCI1-127-0150	Impact rail, L=1270mm C-C=1500mm	● RAL 1018
RCI1-177-0200	Impact rail, L=1770mm C-C=2000mm	● RAL 1018
RCI1-227-0250	Impact rail, L=2270mm C-C=2500mm	● RAL 1018
RCI1-277-0300	Impact rail, L=2770mm C-C=3000mm	● RAL 1018

* Please consult the assembly manual for the complete list of all articles. Scan the QR code on page 4 to download it.



SCAN THE CODE
TO WATCH OUR
ASSEMBLY VIDEO



Double Impact

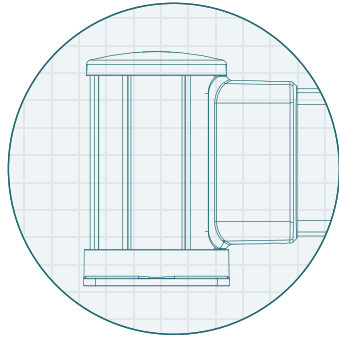
IMPACT TEST RESULTS

Area of impact	Load	Equivalent to		90° Deflection	Force to fixings
Centre of barrier C-C as below					
2000mm	7000 J	2500 kg 8.5 km/h	5000 kg 6 km/h	340mm	13.5 kN
2500mm	6500 J	2500 kg 8.2 km/h	5000 kg 5.8 km/h	370mm	10.4 kN
3000mm	6200 J	2500 kg 8 km/h	5000 kg 5.6 km/h	430mm	12.2 kN
Posts					
End post	6100 J	2500 kg 7.9 km/h	5000 kg 5.6 km/h	NA *	15.5 kN
Mid post	6100 J	2500 kg 7.9 km/h	5000 kg 5.6 km/h	NA *	12.4 kN

* Deflection of posts is equivalent or less than that of the rail/s and is not considered to be critical for product selection. Performance is tested at height of the lowest rail. The post will perform better for lower strikes and deflection will be less.

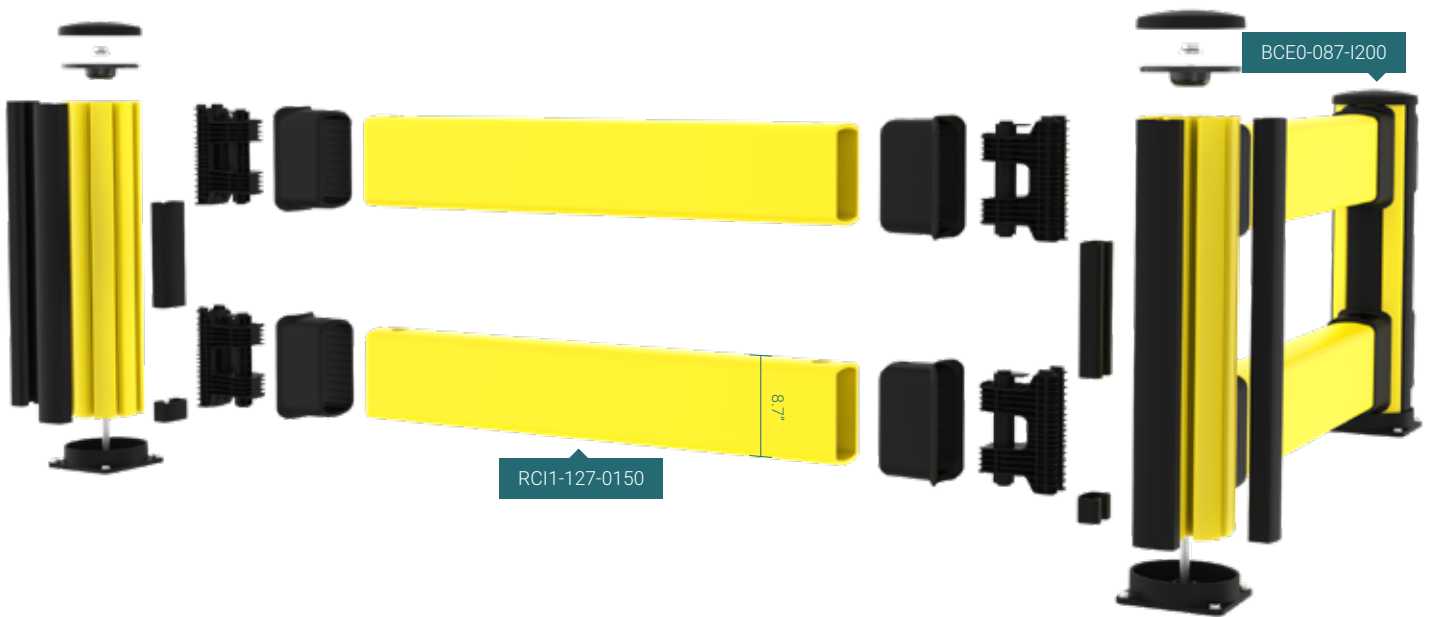
When should you use the Double Impact Barrier?

✓ Use the Double Impact Barrier configuration to protect structures from high level, heavy duty impacts. It is one of our strongest Impact protection configurations.



Modularity & simplicity

Our modular rails and bollards allow for damaged or worn parts to be replaced at a component level. If you need to replace any component - it is just a slide away.



ARTICLES FOR DOUBLE IMPACT BARRIER

Art.No.	Product name	Colour
Posts		
BCE0-087-I200	Double Impact end, H=870mm	● RAL 1018 & ● RAL 9011
BCE1-087-I200	Double Impact end, H=870mm	● RAL 1018
BCM0-087-I200	Double Impact mid, H=870mm	● RAL 1018 & ● RAL 9011
BCM1-087-I200	Double Impact mid, H=870mm	● RAL 1018
BCC0-087-I200	Double Impact corner, H=870mm	● RAL 1018 & ● RAL 9011
BCC1-087-I200	Double Impact corner, H=870mm	● RAL 1018
Impact rails		
RCI1-027-0050	Impact rail, L=270mm C-C=500mm	● RAL 1018
RCI1-047-0070	Impact rail, L=470mm C-C=700mm	● RAL 1018
RCI1-077-0100	Impact rail, L=770mm C-C=1000mm	● RAL 1018
RCI1-127-0150	Impact rail, L=1270mm C-C=1500mm	● RAL 1018
RCI1-177-0200	Impact rail, L=1770mm C-C=2000mm	● RAL 1018
RCI1-227-0250	Impact rail, L=2270mm C-C=2500mm	● RAL 1018
RCI1-277-0300	Impact rail, L=2770mm C-C=3000mm	● RAL 1018

* Please consult the assembly manual for the complete list of all articles. Scan the QR code on page 4 to download it.



SCAN THE CODE
TO WATCH OUR
ASSEMBLY VIDEO



Double Impact Low

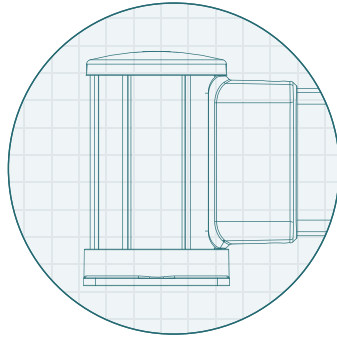
IMPACT TEST RESULTS

Area of impact	Load	Equivalent to		90° Deflection	Force to fixings
Centre of barrier C-C as below					
2000mm	7700 J	2500 kg 8.9 km/h	5000 kg 6.3 km/h	340mm	15.5 kN
2500mm	7000 J	2500 kg 8.5 km/h	5000 kg 6 km/h	390mm	10.7 kN
3000mm	6700 J	2500 kg 8.3 km/h	5000 kg 5.8 km/h	440mm	8.6 kN
Posts					
End post	5800 J	2500 kg 7.7 km/h	5000 kg 5.4 km/h	NA *	15.3 kN
Mid post	5800 J	2500 kg 7.7 km/h	5000 kg 5.4 km/h	NA *	15.5 kN

* Deflection of posts is equivalent or less than that of the rail/s and is not considered to be critical for product selection. Performance is tested at height of the lowest rail. The post will perform better for lower strikes and deflection will be less.

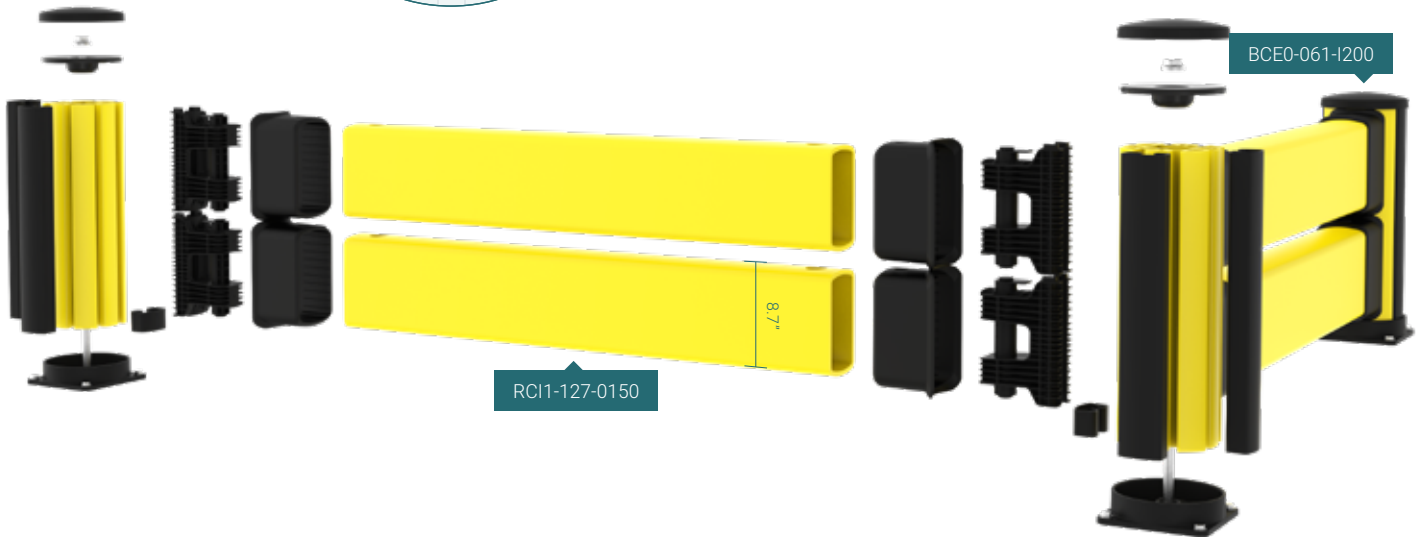
When should you use the Double Impact Low Barrier?

✓ Use the Double Impact Low Barrier configuration to protect structures from ground level, heavy duty impacts. It is one of our strongest Impact protection configurations. It is ideal for protecting pallet racking.



Modularity & simplicity

Our modular rails and bollards allow for damaged or worn parts to be replaced at a component level. If you need to replace any component - it is just a slide away.



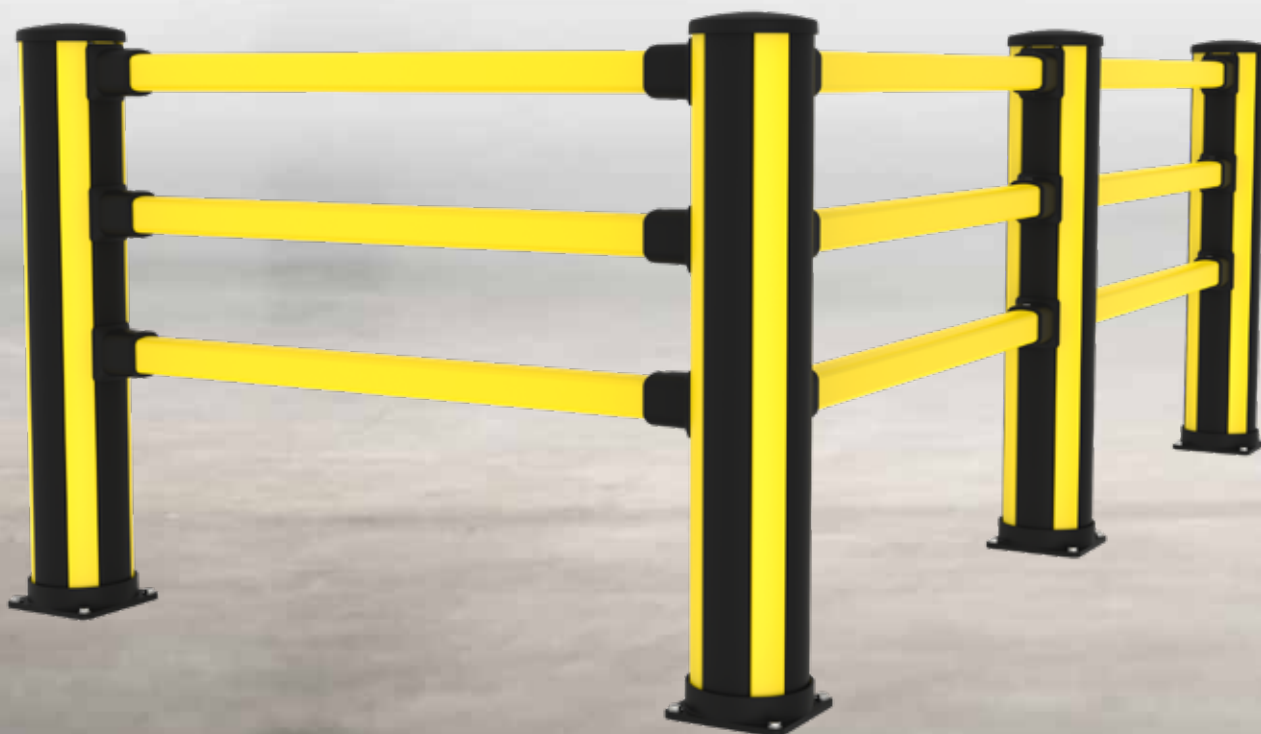
ARTICLES FOR DOUBLE IMPACT LOW BARRIER

Art.No.	Product name	Colour
Posts		
BCE0-061-I200	Double Impact L end, H=610mm	● RAL 1018 & ● RAL 9011
BCE1-061-I200	Double Impact L end, H=610mm	● RAL 1018
BCM0-061-I200	Double Impact L mid, H=610mm	● RAL 1018 & ● RAL 9011
BCM1-061-I200	Double Impact L mid, H=610mm	● RAL 1018
BCC0-061-I200	Double Impact L corner, H=610mm	● RAL 1018 & ● RAL 9011
BCC1-061-I200	Double Impact L corner, H=610mm	● RAL 1018
Impact rails		
RCI1-027-0050	Impact rail, L=270mm C-C=500mm	● RAL 1018
RCI1-047-0070	Impact rail, L=470mm C-C=700mm	● RAL 1018
RCI1-077-0100	Impact rail, L=770mm C-C=1000mm	● RAL 1018
RCI1-127-0150	Impact rail, L=1270mm C-C=1500mm	● RAL 1018
RCI1-177-0200	Impact rail, L=1770mm C-C=2000mm	● RAL 1018
RCI1-227-0250	Impact rail, L=2270mm C-C=2500mm	● RAL 1018
RCI1-277-0300	Impact rail, L=2770mm C-C=3000mm	● RAL 1018

* Please consult the assembly manual for the complete list of all articles. Scan the QR code on page 4 to download it.



SCAN THE CODE
TO WATCH OUR
ASSEMBLY VIDEO



Pedestrian

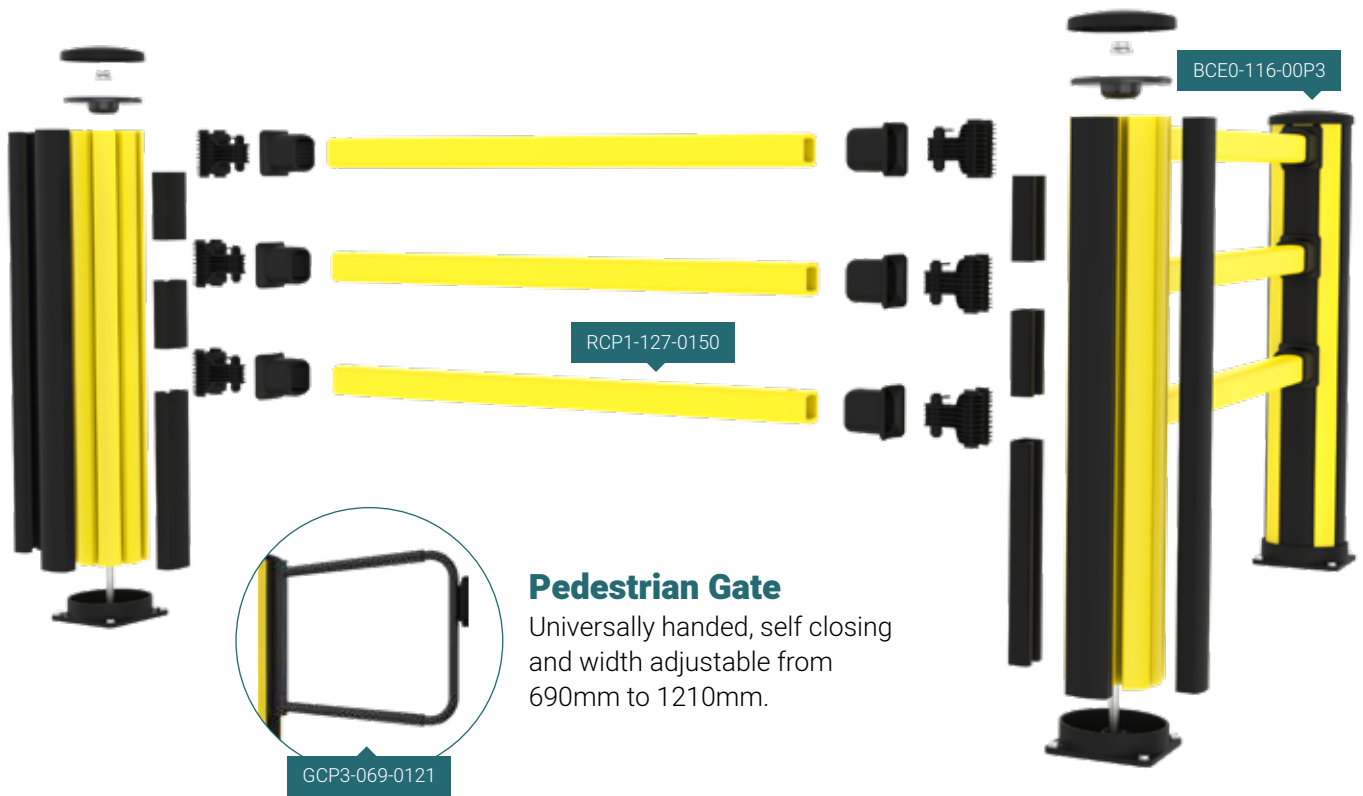
IMPACT TEST RESULTS

Area of impact	Load	Equivalent to		90° Deflection	Force to fixings
Centre of barrier C-C as below					
1500mm	4000 J	2500 kg 6.4 km/h	5000 kg 4.5 km/h	360mm	14.3 kN
2000mm	5000 J	2500 kg 7.2 km/h	5000 kg 5 km/h	490mm	18.7 kN
2500mm	5400 J	2500 kg 7.4 km/h	5000 kg 5.2 km/h	550mm	15.1 kN
Posts					
End post	1900 J	2500 kg 4.4 km/h	5000 kg 3.1 km/h	NA *	10 kN
Mid post	1900 J	2500 kg 4.4 km/h	5000 kg 3.1 km/h	NA *	8.4 kN

* Deflection of posts is equivalent or less than that of the rail/s and is not considered to be critical for product selection. Performance is tested at height of the lowest rail. The post will perform better for lower strikes and deflection will be less.

When should you use the Pedestrian Barrier?

✓ Use the Pedestrian Barrier configuration to define pedestrian routes and protect from light duty impacts.



Pedestrian Gate

Universally handed, self closing and width adjustable from 690mm to 1210mm.

ARTICLES FOR PEDESTRIAN BARRIER

Art.No.	Product name	Colour
Posts		
BCE0-116-00P3	Pedestrian end, H=1160mm	● RAL 1018 & ● RAL 9011
BCE1-116-00P3	Pedestrian end, H=1160mm	● RAL 1018
BCM0-116-00P3	Pedestrian mid, H=1160mm	● RAL 1018 & ● RAL 9011
BCM1-116-00P3	Pedestrian mid, H=1160mm	● RAL 1018
BCC0-116-00P3	Pedestrian corner, H=1160mm	● RAL 1018 & ● RAL 9011
BCC1-116-00P3	Pedestrian corner, H=1160mm	● RAL 1018
Hand rails		
RCP1-027-0050	Hand rail, L=270mm C-C=500mm	● RAL 1018
RCP1-047-0070	Hand rail, L=470mm C-C=700mm	● RAL 1018
RCP1-077-0100	Hand rail, L=770mm C-C=1000mm	● RAL 1018
RCP1-127-0150	Hand rail, L=1270mm C-C=1500mm	● RAL 1018
RCP1-177-0200	Hand rail, L=1770mm C-C=2000mm	● RAL 1018
RCP1-227-0250	Hand rail, L=2270mm C-C=2500mm	● RAL 1018
Gate		
GCP3-069-0121	Pedestrian gate, 690-1210mm C-C 980-1500mm	● RAL 9011

* Please consult the assembly manual for the complete list of all articles. Scan the QR code on page 4 to download it.



SCAN THE CODE
TO WATCH OUR
ASSEMBLY VIDEO



Pedestrian + Impact

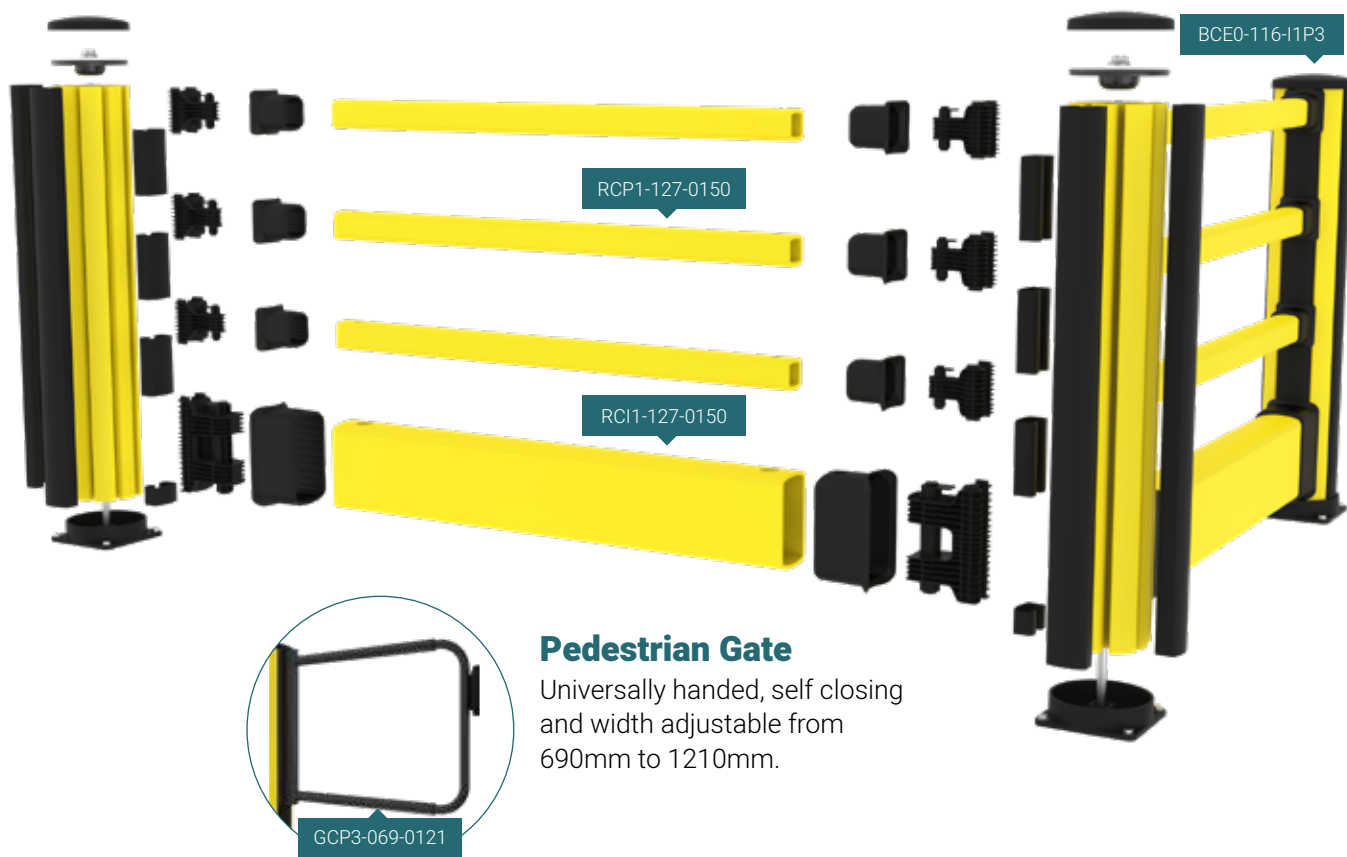
IMPACT TEST RESULTS

Area of impact	Load	Equivalent to		90° Deflection	Force to fixings
Centre of barrier C-C as below					
2000mm	6700 J	2500 kg 8.3 km/h	5000 kg 5.8 km/h	370mm	13.5 kN
2500mm	6700 J	2500 kg 8.3km/h	5000 kg 5.8 km/h	440mm	12.6 kN
Posts					
End post	6000 J	2500 kg 7.8 km/h	5000 kg 5.5 km/h	NA *	14.7 kN
Mid post	6000 J	2500 kg 7.8 km/h	5000 kg 5.5 km/h	NA *	11.9 kN

* Deflection of posts is equivalent or less than that of the rail/s and is not considered to be critical for product selection. Performance is tested at height of the lowest rail. The post will perform better for lower strikes and deflection will be less.

When should you use the Pedestrian + Impact Barrier?

✓ Use the Pedestrian + Impact Barrier configuration to protect walkways from medium duty vehicles where there is an increased risk of ground level impacts.



Pedestrian Gate

Universally handed, self closing and width adjustable from 690mm to 1210mm.

ARTICLES FOR PEDESTRIAN + IMPACT BARRIER

Art.No.	Product name	Colour
Posts		
BCE0-116-I1P3	Pedestrian + Impact end, H=1160mm	● RAL 1018 & ● RAL 9011
BCE1-116-I1P3	Pedestrian + Impact end, H=1160mm	● RAL 1018
BCM0-116-I1P3	Pedestrian + Impact mid, H=1160mm	● RAL 1018 & ● RAL 9011
BCM1-116-I1P3	Pedestrian + Impact mid, H=1160mm	● RAL 1018
BCC0-116-I1P3	Pedestrian + Impact corner, H=1160mm	● RAL 1018 & ● RAL 9011
BCC1-116-I1P3	Pedestrian + Impact corner, H=1160mm	● RAL 1018
Impact rails		
RCI1-027-0050	Impact rail, L=270mm C-C=500mm	● RAL 1018
RCI1-047-0070	Impact rail, L=470mm C-C=700mm	● RAL 1018
RCI1-077-0100	Impact rail, L=770mm C-C=1000mm	● RAL 1018
RCI1-127-0150	Impact rail, L=1270mm C-C=1500mm	● RAL 1018
RCI1-177-0200	Impact rail, L=1770mm C-C=2000mm	● RAL 1018
RCI1-227-0250	Impact rail, L=2270mm C-C=2500mm	● RAL 1018
Hand rails		
RCP1-027-0050	Hand rail, L=270mm C-C=500mm	● RAL 1018
RCP1-047-0070	Hand rail, L=470mm C-C=700mm	● RAL 1018
RCP1-077-0100	Hand rail, L=770mm C-C=1000mm	● RAL 1018
RCP1-127-0150	Hand rail, L=1270mm C-C=1500mm	● RAL 1018
RCP1-177-0200	Hand rail, L=1770mm C-C=2000mm	● RAL 1018
RCP1-227-0250	Hand rail, L=2270mm C-C=2500mm	● RAL 1018
Gate		
GCP3-069-0121	Pedestrian gate, 690-1210mm C-C 980-1500mm	● RAL 9011

* Please consult the assembly manual for the complete list of all articles. Scan the QR code on page 4 to download it.



SCAN THE CODE
TO WATCH OUR
ASSEMBLY VIDEO



Pedestrian + Impact High

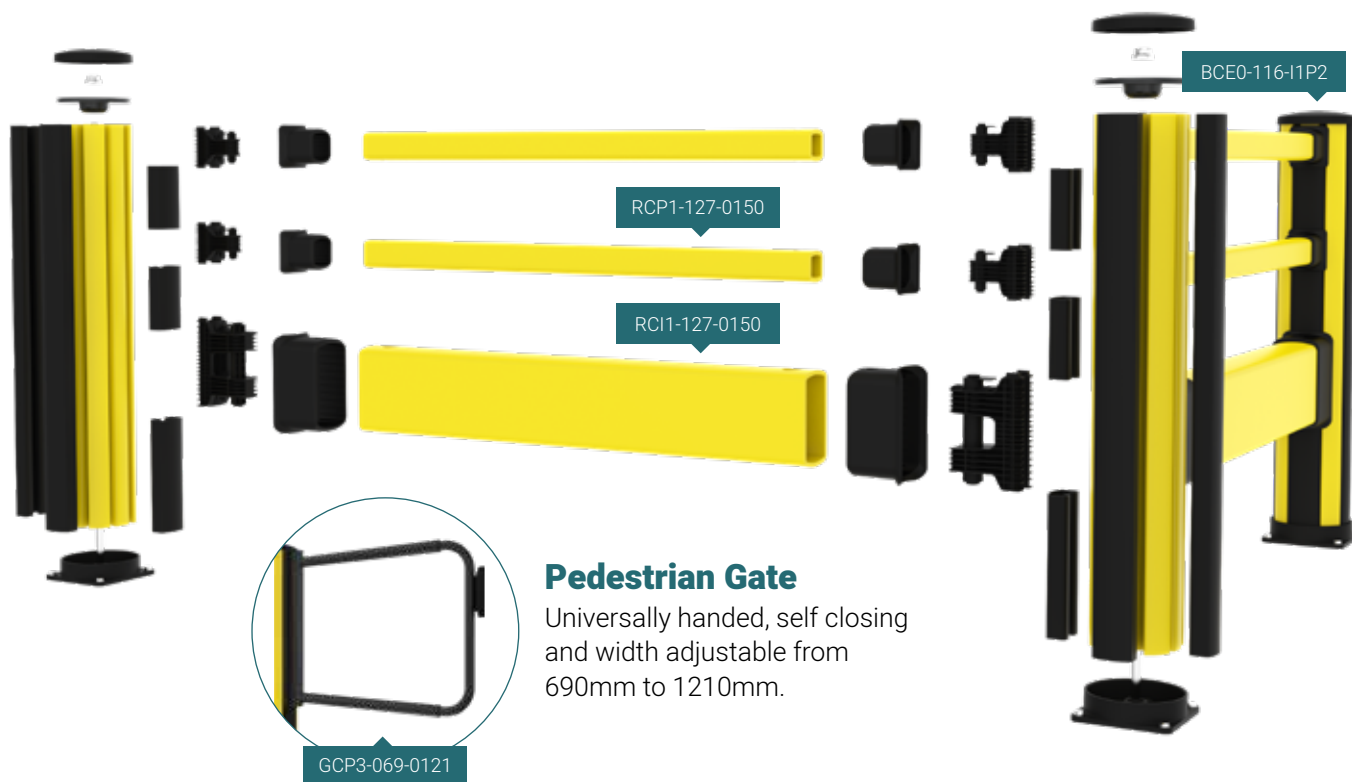
IMPACT TEST RESULTS

Area of impact	Load	Equivalent to		90° Deflection	Force to fixings
Centre of barrier C-C as below					
2000mm	8000 J	2500 kg 9.1 km/h	5000 kg 6.4 km/h	450mm	17 kN
2500mm	7250 J	2500 kg 8.6 km/h	5000 kg 6.1 km/h	520mm	15.2 kN
Posts					
End post	1850 J	2500 kg 4.3 km/h	5000 kg 3 km/h	NA *	11.6 kN
Mid post	2450 J	2500 kg 5 km/h	5000 kg 3.5 km/h	NA *	12.7kN

* Deflection of posts is equivalent or less than that of the rail/s and is not considered to be critical for product selection. Performance is tested at height of the lowest rail. The post will perform better for lower strikes and deflection will be less.

When should you use the Pedestrian + Impact High Barrier?

✓ Use the Pedestrian + Impact High Barrier configuration to protect walkways from medium duty vehicles where there is a reduced risk of ground level impacts.



Pedestrian Gate

Universally handed, self closing and width adjustable from 690mm to 1210mm.

ARTICLES FOR PEDESTRIAN + IMPACT HIGH BARRIER		
Art.No.	Product name	Colour
Posts		
BCE0-116-1P2	Pedestrian + Impact H end, H=1160mm	● RAL 1018 & ● RAL 9011
BCE1-116-1P2	Pedestrian + Impact H end, H=1160mm	● RAL 1018
BCM0-116-1P2	Pedestrian + Impact H mid, H=1160mm	● RAL 1018 & ● RAL 9011
BCM1-116-1P2	Pedestrian + Impact H mid, H=1160mm	● RAL 1018
BCC0-116-1P2	Pedestrian + Impact H corner, H=1160mm	● RAL 1018 & ● RAL 9011
BCC1-116-1P2	Pedestrian + Impact H corner, H=1160mm	● RAL 1018
Impact rails		
RCI1-027-0050	Impact rail, L=270mm C-C=500mm	● RAL 1018
RCI1-047-0070	Impact rail, L=470mm C-C=700mm	● RAL 1018
RCI1-077-0100	Impact rail, L=770mm C-C=1000mm	● RAL 1018
RCI1-127-0150	Impact rail, L=1270mm C-C=1500mm	● RAL 1018
RCI1-177-0200	Impact rail, L=1770mm C-C=2000mm	● RAL 1018
RCI1-227-0250	Impact rail, L=2270mm C-C=2500mm	● RAL 1018
Hand rails		
RCP1-027-0050	Hand rail, L=270mm C-C=500mm	● RAL 1018
RCP1-047-0070	Hand rail, L=470mm C-C=700mm	● RAL 1018
RCP1-077-0100	Hand rail, L=770mm C-C=1000mm	● RAL 1018
RCP1-127-0150	Hand rail, L=1270mm C-C=1500mm	● RAL 1018
RCP1-177-0200	Hand rail, L=1770mm C-C=2000mm	● RAL 1018
RCP1-227-0250	Hand rail, L=2270mm C-C=2500mm	● RAL 1018
Gate		
GCP3-069-0121	Pedestrian gate, 690-1210mm C-C 980-1500mm	● RAL 9011

* Please consult the assembly manual for the complete list of all articles. Scan the QR code on page 4 to download it.



Column Guard

IMPACT TEST RESULTS

Column size	Load	Equivalent to		90° Deflection
Truck Fork				
375mm x 375mm	1400 J	2500 kg 3.8 km/h	5000 kg 2.6 km/h	160mm
Truck Rear				
375mm x 375mm	1700 J	2500 kg 4.1 km/h	5000 kg 2.9 km/h	110mm

* Ultimate performance is 6500J at 3,000mm (118") C-C equivalent to a 2600KG fork lift truck travelling at 7kmh

When should you use the Column Guard?

✓ You should use the Column Guard when you need to protect the columns in your facility from impact damage. The unique design features specially formed air channels that effectively dissipate impact forces.

One Column Guard for all vertical structures

The **interlocking sections** are modular which makes the Column Guard easy to install and guarantees a tight fit to all sides of the column to save space.



Finish off the installation with **adjustable straps** to keep the guard secure.

ARTICLES FOR COLUMN GUARD

Art.No.	Product name	Colour
Column Guard		
CCP1-015-0038	Column guard, 150-375mm H=900mm	● RAL 1018

* Please consult the assembly manual for the complete list of all articles. Scan the QR code on page 4 to download it.



READ THE BROCHURE
ONLINE BY SCANNING
THE QR CODE



AXELENT
X-Protect
TECHNICAL



AXELENT · AXELENT ENGINEERING · AXELENT SOLUTIONS · AXELENT SAFE-X
AXELENT AB · BOX 1 · KÄVSJÖVÄGEN 17 · 335 04 HILLERSTORP, SWEDEN
+46(0)370-37 37 30 · GLOBALSALES@AXELENT.COM · WWW.AXELENT.COM

